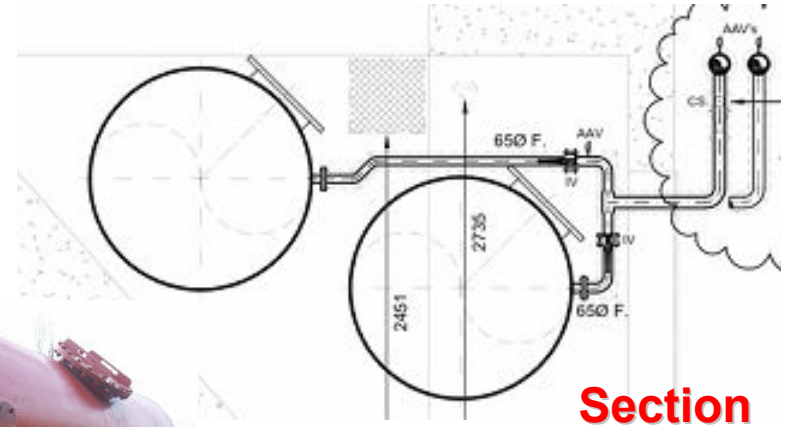
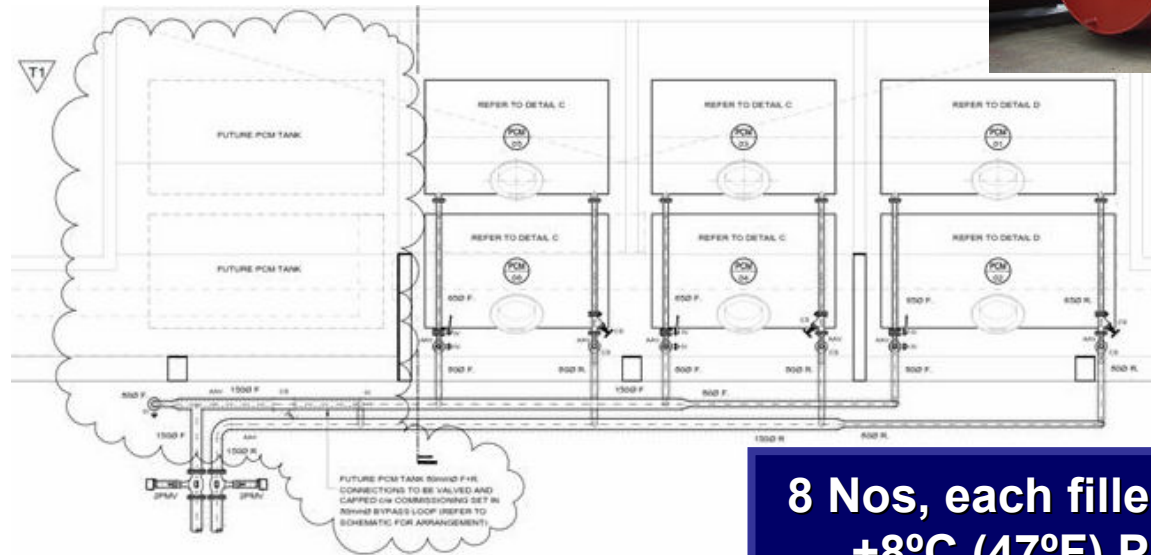




NATIONAL THEATRE, LONDON PCM ENERGY STORAGE INSTALLATION



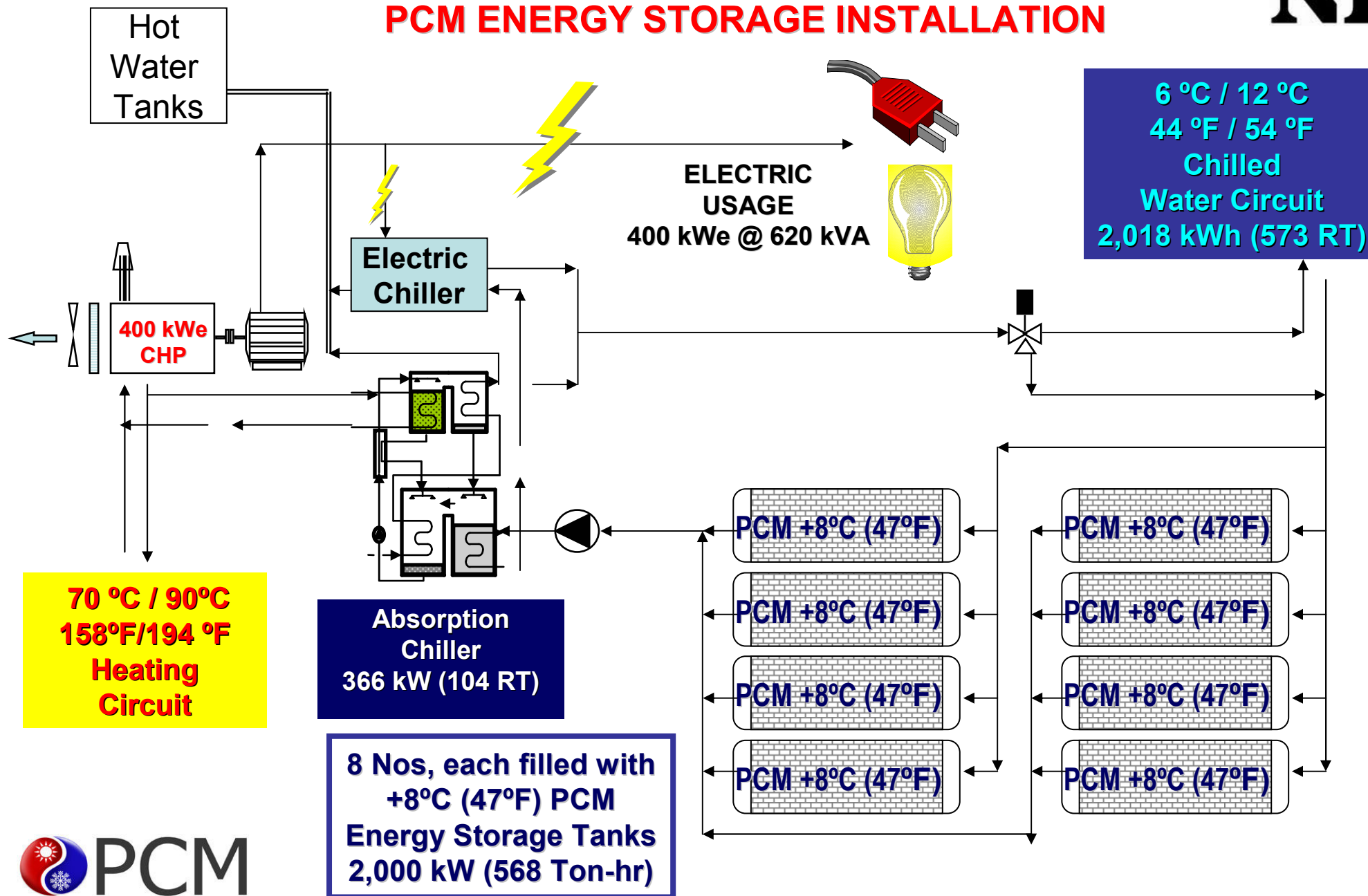
Tanks Layout
(Under Ground)



8 Nos, each filled with
+8°C (47°F) PCM
Energy Storage Tanks
2,000 kWh (568 Ton-hr)



NATIONAL THEATRE, LONDON PCM ENERGY STORAGE INSTALLATION



NATIONAL THEATRE, LONDON PCM ENERGY STORAGE INSTALLATION

